

# Speedgate Swing Single

Motorised Entrance Gate for Internal Installation



record Speedgates



record

your global partner for entrance solutions

## Motorised Entrance Gate for Internal Installation

Entrance Gates are designed to combine smooth function and sophisticated appearance with security needs in settings where design is important. The Entrance Gates are completely silent and provide easy passage and high throughput. Designed to reduce the barrier effect and create a welcome atmosphere, visitors can immediately see how and where they should enter.

record Speedgate Swing Single consists of a grained or polished stainless steel column with one glass leaf.

A wide selection of glass dimensions and styles is available to create a two-leaf passage or match with the design of the Speedgates product range.

On receiving the signal from the access control system or push button, the unit will unlock and drive through 90° away from the signal direction. Should the leaf meet any resistance, it will stop and nudge forward. If obstruction continues the unit will alarm and free wheel; an auto-reset will re-establish control.

## Technical Specifications

### Drive

Motorised, pass left or pass right. Logic Voltage 24Vac.

### Materials

- **Rotor column:** 220mm diameter 304 grade grained stainless steel
- **Rotor wing:** 10mm-thick clear toughened frameless glass leaf

### Power Failure / Fire Alarm

In the event of an emergency or isolation of power supply, the unit will fail-safe i.e. rotor will freely turn in both directions. Input facility available for voltage free contact supplied by others to effect fire alarm fail-safe state.

### Additional Interface

Potential-free contact provided by either a card reader or push button input. Card reader inhibit and reset output signals are available as standard.

### Models

950mm High Plain Post

## Technical Data

Dimensions	See details on next page
Power Supply	230Vac 50 Hz or 115Vac 60 Hz
Power Rating	250VA
Operating Temperature	+5° to +40°C (RH 95% non-condensing)
IP rating / MCBF / MTTR	IP 20 / 1M cycles / less than 30 min
Flow Rates	<b>Insertion Type Reader:</b> 10 passages per minute <b>Swipe Type Reader:</b> 15 passages per minute <b>Proximity Reader / Hands Free:</b> 20 passages per minute

## Options

Alternative finishes

Glass leaf height and width selection

Card reader integration

Push button control

Remote console

Hand-held programmer

Push bar

Remote control system

## Benefits

- Smooth function and sophisticated appearance
- Silent operation providing easy passage and high throughput
- Designed to reduce the barrier effect

## Applications

Government

Retail

Finance

Telecommunications

IT

Banking

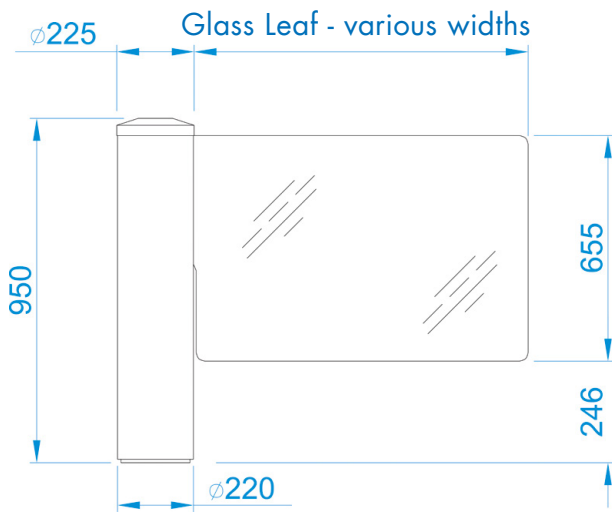
Publishing

Leisure

Petrochemical

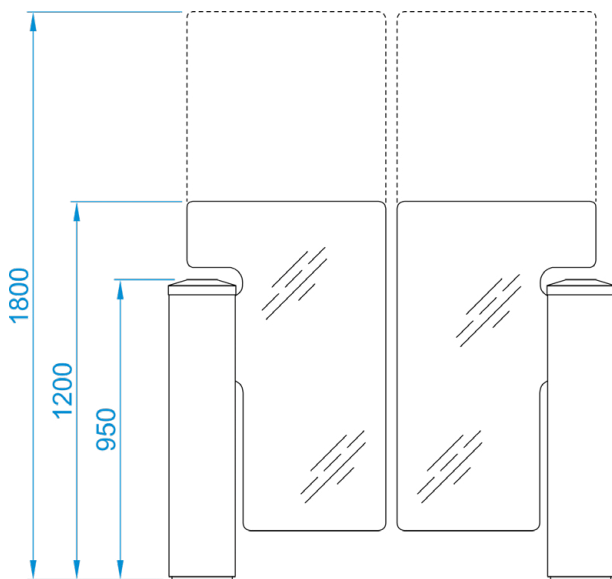
Education

## Models and Configurations



Product delivered in a kit form i.e. Leaves and Rotor and may require lifting equipment.

Approx. weight: 75Kg (For installation details, please refer to the installation manual).



Concrete Base to specification at least fck (cube) 30N/mm<sup>2</sup> of resistance.

Base to be flat and level to +/- 5mm over footprint area. Dimensions to be > 300 x 300 x 300 deep min. (units in mm).

Glass Leaf Height (mm)	Glass Leaf Width (mm)	Clear Opening (mm)
655	975	1025
	950	1000
	900	950
	850	900
	800	850
	750	800
	700	750
	650	700
	600	650
	550	600
500	550	
1050	900	950
	850	900
	800	850
	750	800
	700	750
	650	700
	600	650
	550	600
	500	550
	450	500
400	450	
1650	475	525
	450	500
	425	475
	400	450

**Important:** Any horizontal pipe or conduit running below the Speedgate Swing Single must be at least 140mm below FFL. Metal conduit for cables should be raised at least 50mm from foundation. It is the customer's responsibility to ensure the structural integrity and strength of the installation location. The dimensions given in this Product Data Sheet are for information only. In order to prepare the installation site, please refer to your usual record Customer Service contact.

**Conditions of use:** When using record's security access control gates, for security and safety reasons, children must be supervised by an adult at all times.

**record UK limited**

Head Office  
Unit D  
9 Watt Place  
Hamilton International Park  
Blantyre  
G72 0AH – UK

info@recorduk.co.uk  
www.recorduk.co.uk

Northern Office  
Unit 2, Shaw Cross Court  
Horace Waller V C Parade  
Shaw Cross Business Park  
Dewsbury  
WF12 7RF – UK

Midland Office  
4<sup>th</sup> floor,  
Townend House  
Park Street, Walsall  
WS1 1NS

Southern Office  
17 Invincible Road –  
Farnborough  
GU14 7QU – UK

**Headquartered** in Switzerland, the record group sells its products and services across the globe and is directly present with subsidiaries in many countries.

**Global sales and service contacts:** [www.record.group/countries](http://www.record.group/countries)



your global partner for entrance solutions